

FEATURE HIGHLIGHTS

- LASER LIGHT SOURCE
- 4,000AL HIGH BRIGHTNESS
- 20,000 HOURS OF LAMP REPLACEMENT FREE
- LASER ENGINE WITH IP5X STANDARD
- PW40U COMPATIBLE



Product Specifications

Projection System	DLP Single 0.65" Full HD	
DMD type	DC3 DMD chip	
Native Resolution	1920 x 1080 pixels	
Brightness	4,000 ANSI Lumens	
Contrast Ratio *	100,000 : 1	
Display Color	1.07 Billion Colors	
Aspect Ratio	Native 16 : 9 (5 aspect ratio selectable)	
Projection Size	81"~121"	
Projection Offset	118.8±3% (Full-Height)	
Throw Ratio	0.23	
Zoom Ratio	Fixed	
Lens Control	Manual Focus	
Light Source Type	Laser	
Light Source Life **	min 20,000 Hours	
Keystone Adjustment	2D keystone, Vertical ± 20 & Horizontal ± 20 degrees	
Resolution Support	VGA (640 x 480) to WUXGA_RB (1920 x 1200)	
Horizontal Frequency	15~102KHz	
Vertical Scan Rate	23~120 Hz	
Compatibility	HDTV Compatibility	480i, 480p, 576i, 567p, 720p, 1080i, 1080p
	Video Compatibility	NTSC, PAL, SECAM
Built-in Speaker	10 W x 1	
Dimensions (W x H x D)	502.1 x 164.5 x 399.3 mm	
Weight	9.06 kg +/- 100g	
Power Supply	100 ~ 240V AC	
Power Consumption (Max / Normal / Eco)	380 W / 358 W / 274 W	
Standby Power Consumption	Normal < 0.5W Network < 2W	
Audible Noise	35 / 32 dBA (without dust filter) 37 / 34 dBA (with dust filter)	
Operating Temperature	0 ~ 40°C	
On-Screen Display Languages	Arabic / Bulgarian / Croatian / Czech / Danish / Dutch / English / Finnish / French / German / Greek / Hindi / Hungarian / Italian / Indonesian / Japanese / Korean / Norwegian / Polish / Portuguese / Romanian / Russian / Simplified Chinese / Spanish / Swedish / Turkish / Thai / Traditional Chinese (28 Languages)	
Security Feature	Kensington Lock 2D Keystone, Corner Fit, Digital zoom (2x), Digital Shrink (0.75x), LAN Control, AMX / PJ Link / Crestron / Extron IPL Compatible, MDA Compatibility, Optional Wireless Display, Optional Interactive module (PW40U) compatibility, Optional Dust Filter:	
Accessories	Standard	Optional
	Power Cord (by region) Remote Control (RCA022) AAA Battery x 2 VGA cable Warranty Card (by region) Quick Start Guide (4JJJC01.001) User Manual CD (5BJJC01.001) Wall mount (WM03G6)	3D Glasses (5JJ9H25.002) PointWrite Kit: PW40U (5AJJR26.10E) Wireless Dongle: QCast Mirror (5AJH328.10X) Wireless Dongle: QCast (5JJCK28.X01) Wireless Kit - Instashow WDC10 (9HJF878.N4X) 3 mm Dust Filter -FTFS02 (5JJHF14.001)

Storage: Temperature: -20~60°C; Humidity: 10~90%RH (without condensation)

* The Contrast is measure by Full On Full Off standard.

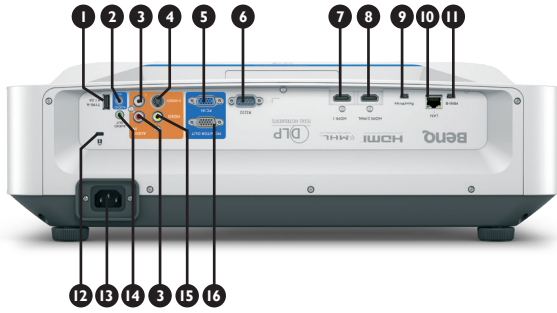
** LightSource life results will vary depending on environmental conditions and usage. Actual product's features and specifications are subject to change without notice.

LH890UST

BenQ DLP Projector

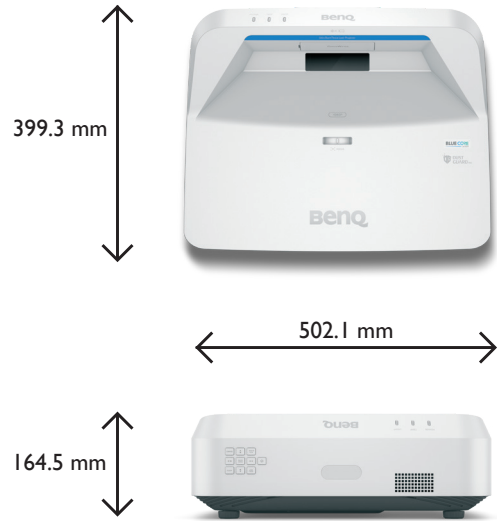
BenQ

Input and Output Terminals



- | | |
|---|--|
| 1 USB Type A (5V,1.5A) | 10 USB Type mini B (For PointWrite module) |
| 2 Audio Input (mini jack) | 11 USB Type mini B (For service) |
| 3 Audio L/R Input (RCA) | 12 Kensington anti-theft lock slot |
| 4 S-Video Input | 13 AC Power Jack |
| 5 PC (D-sub 15pin) | 14 Audio Output (mini jack) |
| 6 RS232 Input (D-sub 9pin, male) | 15 Composite Video Input (RCA) |
| 7 HDMI 1 | 16 Monitor Output (D-sub 15pin, Female) |
| 8 HDMI 2 / MHL | |
| 9 USB Type mini B (For PointWrite module) | |

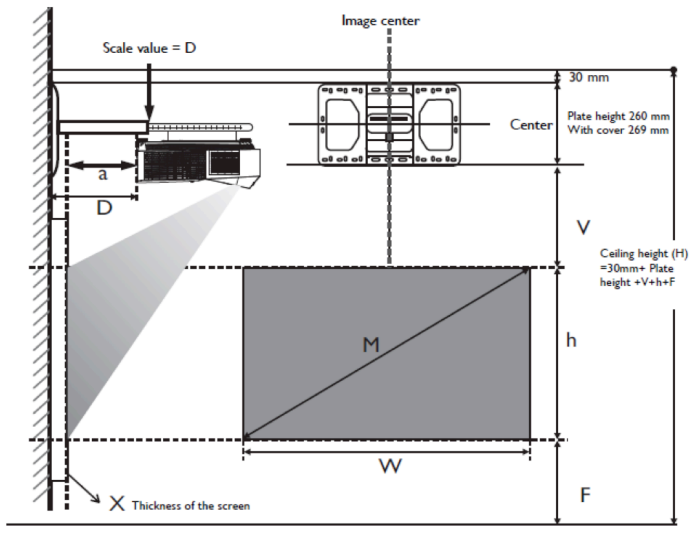
Dimensions



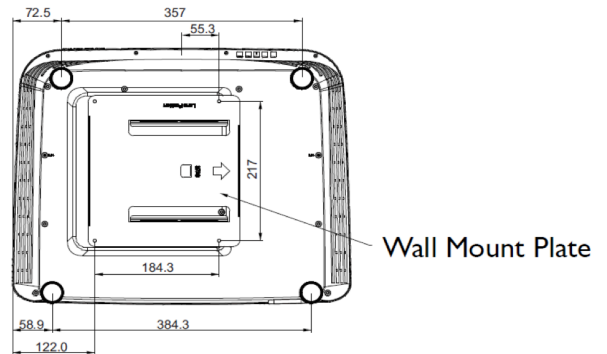
Distance Chart

Screen size				Minimum Ceiling height	Vertical Offset	Installation distance (D)	
Diagonal (M)		Height (H)	Width (W)			X ^b = 0 mm (D=a)	X ^c = 30 mm (D=a+ 30 mm)
Inch	mm	mm	mm	mm	mm	mm	mm
81	2057	1009	1793	2247	178	81	111
86	2184	1071	1904	2321	189	107	137
91	2311	1133	2015	2395	201	134	164
96	2438	1195	2125	2469	213	160	190
101	2565	1258	2236	2543	224	187	217
106	2692	1320	2347	2617	236	214	244
111	2819	1382	2457	2691	248	240	270
116	2946	1445	2568	2765	259	267	297
121	3073	1507	2679	2839	271	293	323

- base on a image 762 mm from the floor, if the image is lower, the min ceiling height is reduced by the measurement.
- Assume the thickness of projection screen (X) is 0 mm.
- Assume the thickness of projection screen (X) is 30 mm.



Ceiling Mount Chart



BenQ Europe B.V.

Meerenakkerweg 1-17
5652 AR Eindhoven
The Netherlands
Tel: +31 88 8889200

BenQ.eu

© 2018 BenQ Corp. Specifications may vary by region, please visit your local stores for details. Actual product's features and specifications are subject to change without notice. This material may include corporate names and trademarks of third parties which are the properties of the third parties respectively.

BENQ